

**6N137, HCNW137, HCNW2601, HCNW2611, HCPL-0600,  
 HCPL-0601, HCPL-0611, HCPL-0630, HCPL-0631, HCPL-0661,  
 HCPL-2601, HCPL-2611, HCPL-2630, HCPL-2631, HCPL-4661**  
 High CMR, High Speed TTL Compatible Optocouplers



## Data Sheet



### Description

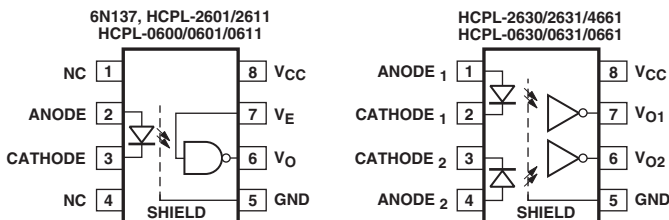
The 6N137, HCPL-26XX/06XX/4661, HCNW137/26X1 are optically coupled gates that combine a GaAsP light emitting diode and an integrated high gain photo detector. An enable input allows the detector to be strobed. The output of the detector IC is an open collector Schottky-clamped transistor. The internal shield provides a guaranteed common mode transient immunity specification up to 15,000 V/μs at Vcm=1000V.

This unique design provides maximum ac and dc circuit isolation while achieving TTL compatibility. The optocoupler ac and dc operational parameters are guaranteed from -40°C to +85°C allowing troublefree system performance.

### Features

- 15 kV/μs minimum Common Mode Rejection (CMR) at  $V_{CM} = 1KV$  for HCNW2611, HCPL-2611, HCPL-4661, HCPL-0611, HCPL-0661
- High speed: 10 MBd typical
- LSTTL/TTL compatible
- Low input current capability: 5 mA
- Guaranteed ac and dc performance over temperature: -40°C to +85°C
- Available in 8-Pin DIP, SOIC-8, widebody packages
- Strobable output (single channel products only)
- Safety approval  
 UL recognized - 3750 V rms for 1 minute and 5000 Vrms\* for 1 minute per UL1577 CSA approved IEC/EN/DIN EN 60747-5-2 approved with  
 $V_{IORM} = 560 V_{peak}$  for 06xx Option 060  
 $V_{IORM} = 630 V_{peak}$  for 6N137/26xx Option 060  
 $V_{IORM} = 1414 V_{peak}$  for HCNW137/26X1
- MIL-PRF-38534 hermetic version available (HCPL-56XX/66XX)

### Functional Diagram



TRUTH TABLE (POSITIVE LOGIC)

LED	ENABLE	OUTPUT
ON	H	L
OFF	H	H
ON	L	H
OFF	L	H
ON	NC	L
OFF	NC	H

TRUTH TABLE (POSITIVE LOGIC)

LED	OUTPUT
ON	L
OFF	H

A 0.1 μF bypass capacitor must be connected between pins 5 and 8.

### Applications

- Isolated line receiver
- Computer-peripheral interfaces
- Microprocessor system interfaces
- Digital isolation for A/D, D/A conversion
- Switching power supply
- Instrument input/output isolation
- Ground loop elimination
- Pulse transformer replacement
- Power transistor isolation in motor drives
- Isolation of high speed logic systems

\*5000 V rms/1 Minute rating is for HCNW137/26X1 and Option 020 (6N137, HCPL-2601/11/30/31, HCPL-4661) products only.

**CAUTION:** It is advised that normal static precautions be taken in handling and assembly of this component to prevent damage and/or degradation which may be induced by ESD.

The 6N137, HCPL-26XX, HCPL-06XX, HCPL-4661, HCNW137, and HCNW26X1 are suitable for high speed logic interfacing, input/output buffering, as line receivers in environments that conventional line receivers cannot tolerate and are recommended for use in extremely high ground or induced noise environments.

## Selection Guide

Minimum CMR		Input On-Current (mA)	Output Enable	8-Pin DIP (300 Mil)		Small-Outline SO-8		Widebody (400 Mil)	Hermetic
dV/dt (V/μs)	V <sub>CM</sub> (V)			Single Channel Package	Dual Channel Package	Single Channel Package	Dual Channel Package	Single Channel Package	Single and Dual Channel Packages
1000	10	5	YES	6N137					
5,000	1,000	5	YES			HCPL-0600		HCNW137	
			NO		HCPL-2630		HCPL-0630		
10,000	1,000		YES	HCPL-2601		HCPL-0601		HCNW2601	
			NO		HCPL-2631		HCPL-0631		
15,000	1,000		YES	HCPL-2611		HCPL-0611		HCNW2611	
			NO		HCPL-4661		HCPL-0661		
1,000	50		YES	HCPL-2602 <sup>(1)</sup>					
3,500	300		YES	HCPL-2612 <sup>(1)</sup>					
1,000	50	3	YES	HCPL-261A <sup>(1)</sup>		HCPL-061A <sup>(1)</sup>			
			NO		HCPL-263A <sup>(1)</sup>		HCPL-063A <sup>(1)</sup>		
1,000 <sup>(2)</sup>	1,000		YES	HCPL-261N <sup>(1)</sup>		HCPL-061N <sup>(1)</sup>			
			NO		HCPL-263N <sup>(1)</sup>		HCPL-063N <sup>(1)</sup>		
1,000	50	12.5	<sup>(3)</sup>					HCPL-193X <sup>(1)</sup> HCPL-56XX <sup>(1)</sup> HCPL-66XX <sup>(1)</sup>	

### Notes:

1. Technical data are on separate Avago publications.
2. 15 kV/μs with V<sub>CM</sub> = 1 kV can be achieved using Avago application circuit.
3. Enable is available for single channel products only, except for HCPL-193X devices.

**Ordering Information**

HCPL-xxxx is UL Recognized with 3750 Vrms for 1 minute per UL1577.

HCNWxxxx is UL Rcnized with 5000 Vrms for 1 minute per UL1577.

Part Number	Option		Package	Surface Mount	Gull Wing	Tape & Reel	UL 5000 Vrms/ 1 Minute Rating	IEC/EN/DIN EN 60747-5-2	Quantity
	RoHS Compliant	Non RoHS Compliant							
6N137	-000E	No option	300mil DIP-8						50 per tube
	-300E	#300		X	X				50 per tube
	-500E	#500		X	X	X			1000 per reel
	-020E	#020					X		50 per tube
	-320E	#320		X	X		X		50 per tube
	-520E	#520		X	X	X	X		1000 per reel
	-060E	#060						X	50 per tube
	-560E	-560		X	X	X		X	1000 per reel
HCPL-2601	-000E	No option	300mil DIP-8						50 per tube
	-300E	#300		X	X				50 per tube
	-500E	#500		X	X	X			1000 per reel
	-020E	#020					X		50 per tube
	-320E	#320		X	X		X		50 per tube
	-520E	#520		X	X	X	X		1000 per reel
	-060E	#060						X	50 per tube
	-360E	-		X	X			X	50 per tube
HCPL-2611	-000E	No option	300mil DIP-8						50 per tube
	-300E	#300		X	X				50 per tube
	-500E	#500		X	X	X			1000 per reel
	-020E	#020					X		50 per tube
	-320E	#320		X	X		X		50 per tube
	-520E	#520		X	X	X	X		1000 per reel
	-060E	#060						X	50 per tube
	-360E	#360		X	X			X	50 per tube
HCPL-2630	-000E	No option	300mil DIP-8						50 per tube
	-300E	#300		X	X				50 per tube
	-500E	#500		X	X	X			1000 per reel
	-020E	#020					X		50 per tube
	-320E	#320		X	X		X		50 per tube
	-520E	-520		X	X	X	X		1000 per reel
	-000E	No option							50 per tube
	-300E	#300		X	X				50 per tube
HCPL-2631 HCPL-4661	-500E	#500	300mil DIP-8	X	X	X			1000 per reel
	-020E	#020					X		50 per tube
	-320E	#320		X	X		X		50 per tube
	-520E	#520		X	X	X	X		1000 per reel
	-000E	No option							50 per tube

Part Number	Option		Package	Surface Mount	Gull Wing	Tape & Reel	UL 5000 Vrms/ 1 Minute Rating	IEC/EN/DIN EN 60747-5-2	Quantity
	RoHS Compliant	Non RoHS Compliant							
HCPL-0600	-000E	No option	SO-8	X					100 per tube
HCPL-0601	-500E	#500		X		X			1500 per reel
HCPL-0611	-060E	#060		X				X	100 per tube
	-560E	#560		X		X		X	1500 per reel
HCPL-0630	-000E	No option	SO-8	X					100 per tube
HCPL-0631	-500E	#500		X		X			1500 per reel
HCPL-0661									
HCNW137	-000E	No option	400 mil DIP-8				X	X	42 per tube
HCNW2601	-300E	#300		X	X		X	X	42 per tube
HCNW2611	-500E	#500		X	X	X	X	X	750 per reel

To order, choose a part number from the part number column and combine with the desired option from the option column to form an order entry. Combination of Option 020 and Option 060 is not available.

Example 1:

HCPL-2611-560E to order product of 300mil DIP Gull Wing Surface Mount package in Tape and Reel packaging with IEC/EN/DIN EN 60747-5-2 Safety Approval in RoHS compliant.

Example 2:

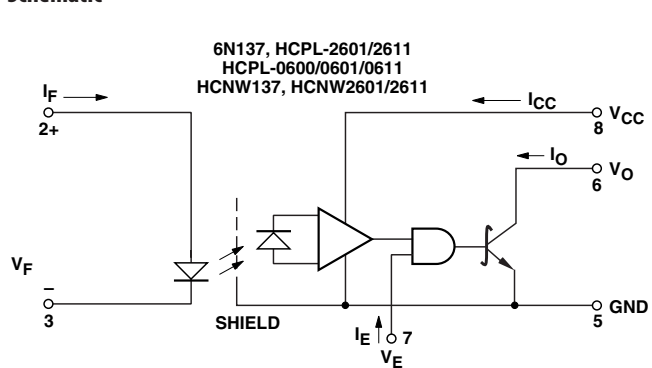
HCPL-2630 to order product of 300mil DIP package in tube packaging and non RoHS compliant.

Option datasheets are available. Contact your Avago sales representative or authorized distributor for information.

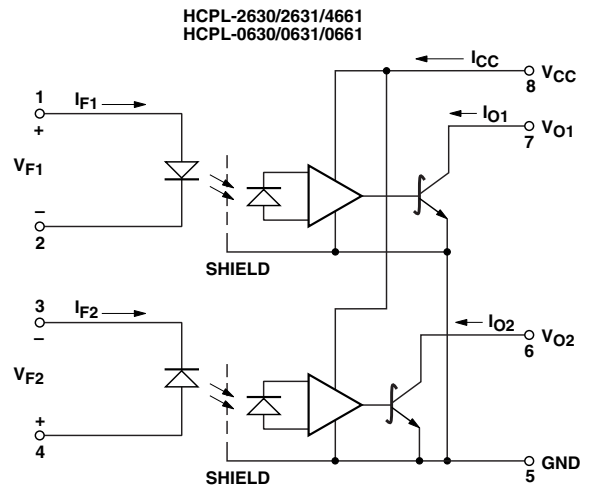
Notes:

The notation '#XXX' is used for existing products, while (new) products launched since 15<sup>th</sup> July 2001 and RoHS compliant option will use '-XXXE'.

### Schematic

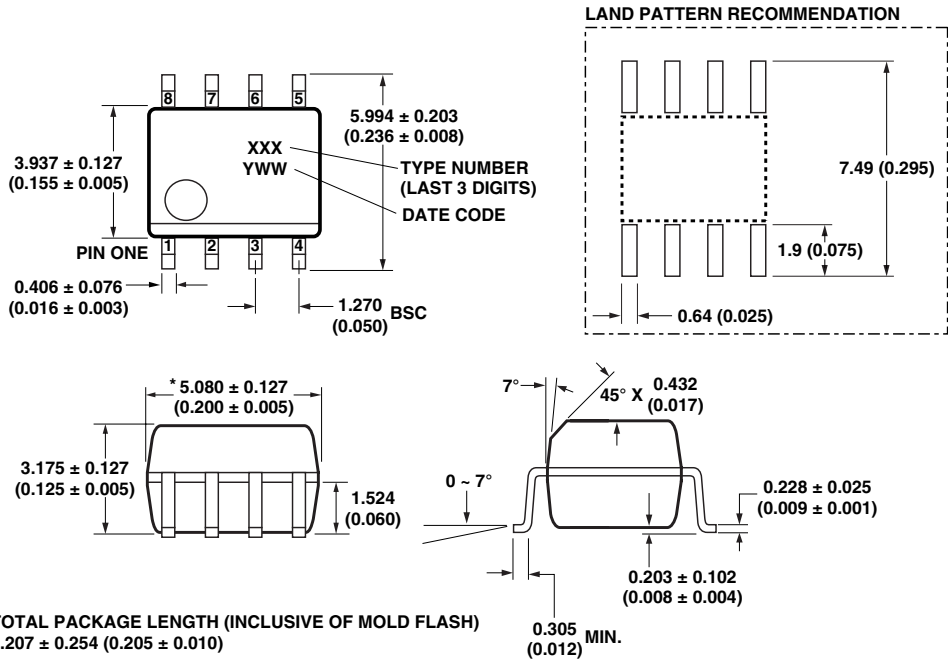


USE OF A 0.1  $\mu$ F BYPASS CAPACITOR CONNECTED BETWEEN PINS 5 AND 8 IS RECOMMENDED (SEE NOTE 5).

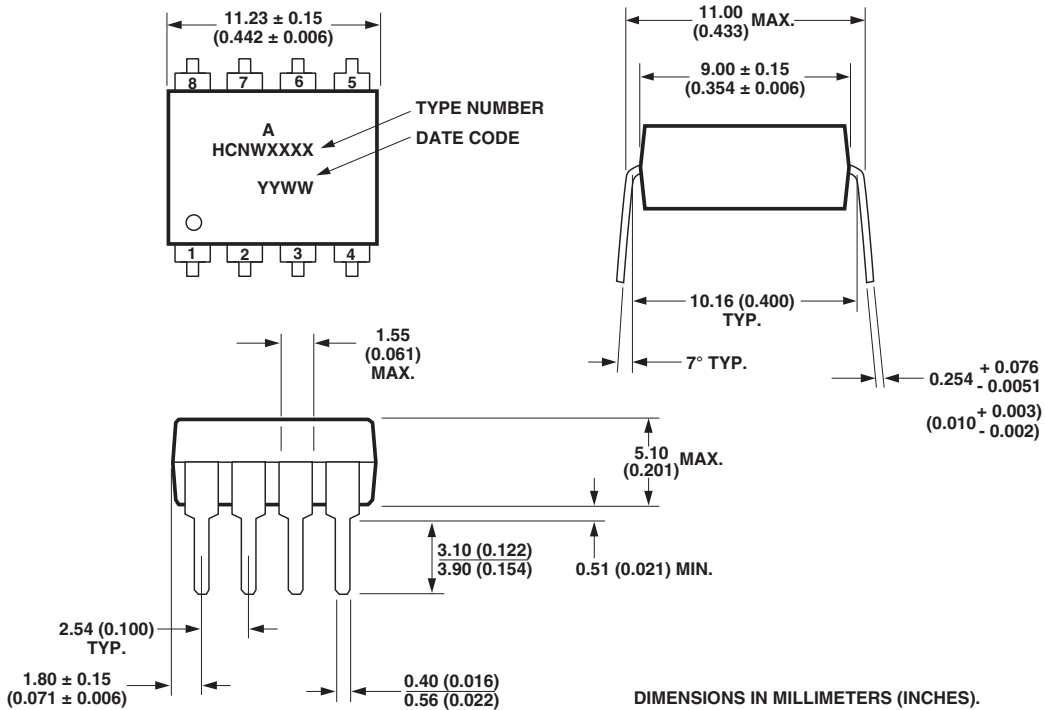




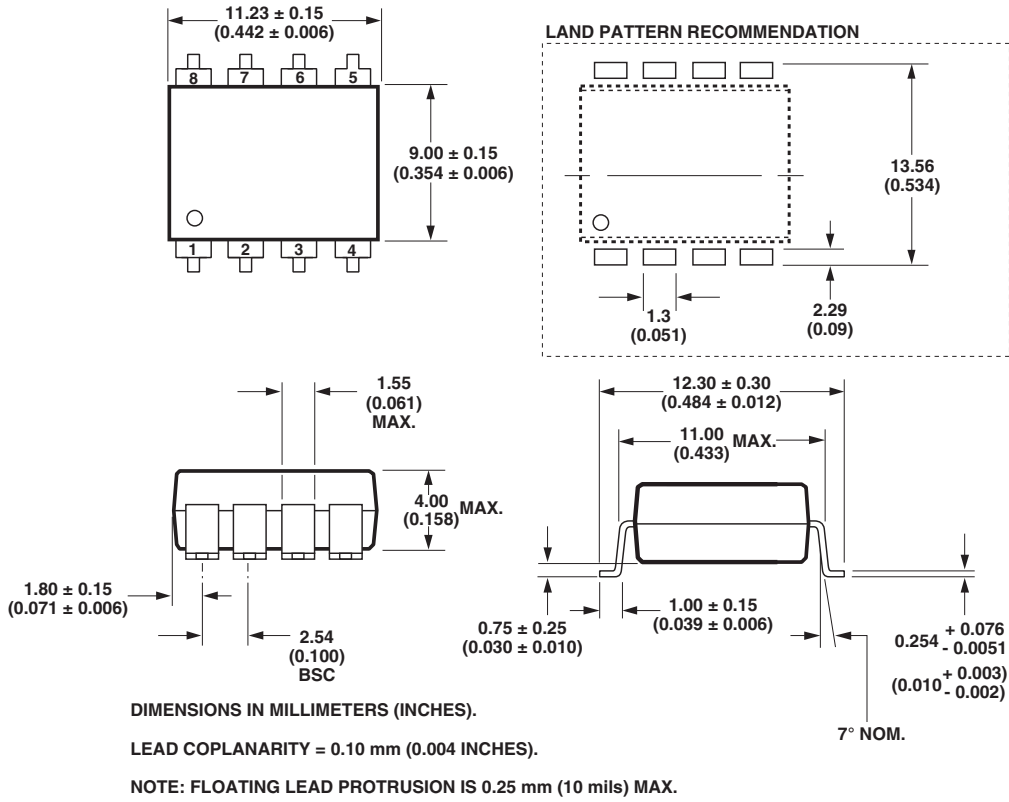
**Small-Outline SO-8 Package (HCPL-0600/01/11/30/31/61)**



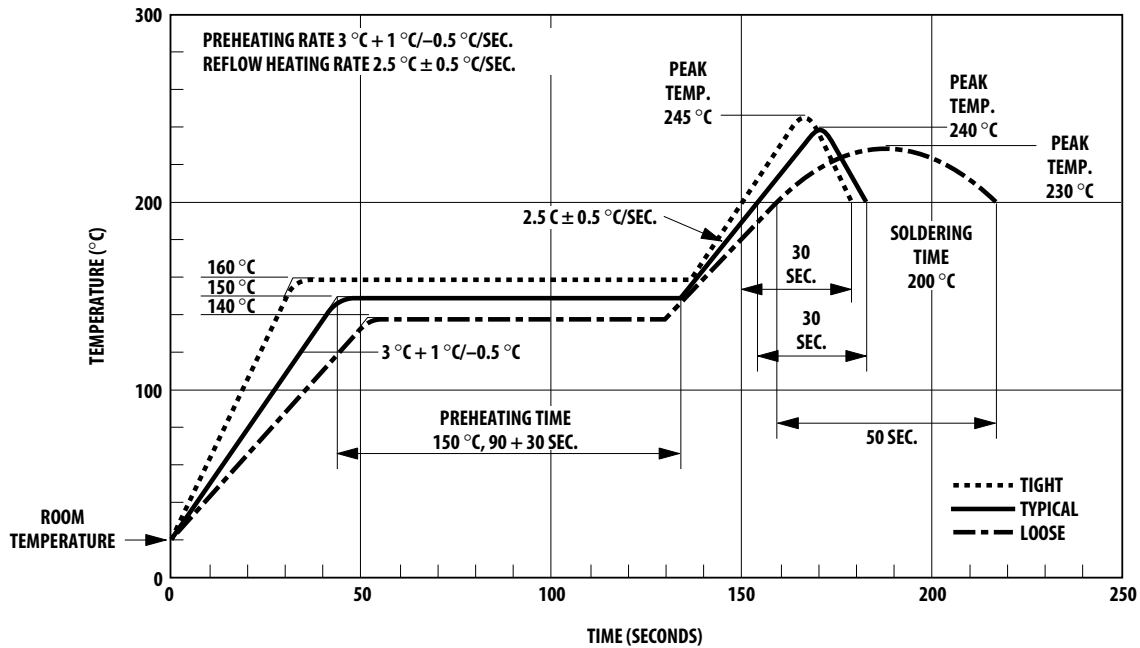
**8-Pin Widebody DIP Package (HCNW137, HCNW2601/11)**



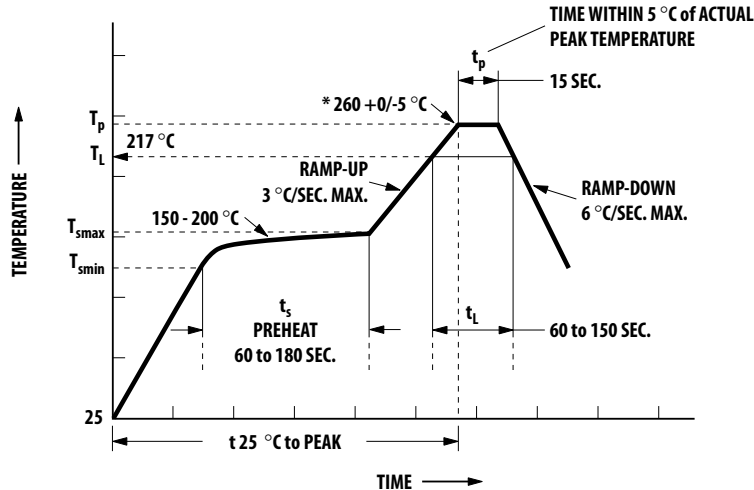
**8-Pin Widebody DIP Package with Gull Wing Surface Mount Option 300  
(HCNW137, HCNW2601/11)**



**Solder Reflow Temperature Profile**



## Recommended Pb-free IR Profile



NOTES:  
 THE TIME FROM 25 °C to PEAK  
 TEMPERATURE = 8 MINUTES MAX.  
 $T_{smax} = 200\text{ °C}$ ,  $T_{smin} = 150\text{ °C}$

NOTE: NON-HALIDE FLUX SHOULD BE USED.

\* RECOMMENDED PEAK TEMPERATURE FOR  
 WIDEBODY 400mils PACKAGE IS 245 °C

## Regulatory Information

The 6N137, HCPL-26XX/06XX/46XX, and HCNW137/26XX have been approved by the following organizations:

### UL

Recognized under UL 1577, Component Recognition Program, File E55361.

### IEC/EN/DIN EN 60747-5-2

Approved under  
 IEC 60747-5-2:1997 + A1:2002  
 EN 60747-5-2:2001 + A1:2002  
 DIN EN 60747-5-2 (VDE 0884 Teil 2):2003-01  
 (Option 060 and HCNW only)

### CSA

Approved under CSA Component Acceptance Notice #5, File CA 88324.

## Insulation and Safety Related Specifications

Parameter	Symbol	8-pin DIP	50-8	Widebody	Units	Conditions
		(300 Mil)	Value	(400 Mil)		
Minimum External Air Gap (External Clearance)	L(101)	7.1	4.9	9.6	mm	Measured from input terminals to output terminals, shortest distance through air.
Minimum External Tracking (External Creepage)	L(102)	7.4	4.8	10.0	mm	Measured from input terminals to output terminals, shortest distance path along body.
Minimum Internal Plastic Gap (Internal Clearance)		0.08	0.08	1.0	mm	Through insulation distance, conductor to conductor, usually the direct distance between the photoemitter and photodetector inside the optocoupler cavity.
Minimum Internal Tracking (Internal Creepage)		NA	NA	4.0	mm	Measured from input terminals to output terminals, along internal cavity.
Tracking Resistance (Comparative Tracking Index)	CTI	200	200	200	Volts	DIN IEC 112/VDE 0303 Part 1
Isolation Group		IIIa	IIIa	IIIa		Material Group (DIN VDE 0110, 1/89, Table 1)

Option 300 - surface mount classification is Class A in accordance with CECC 00802.



**IEC/EN/DIN EN 60747-5-2 Insulation Related Characteristics  
(HCPL-06xx Option 060 Only)**

Description	Symbol	Characteristic	Units
Installation classification per DIN VDE 0110/1.89, Table 1 for rated mains voltage $\leq 150$ V rms		I-IV	
for rated mains voltage $\leq 300$ V rms		I-III	
for rated mains voltage $\leq 600$ V rms		I-III	
Climatic Classification		55/85/21	
Pollution Degree (DIN VDE 0110/1.89)		2	
Maximum Working Insulation Voltage	$V_{IORM}$	567	$V_{peak}$
Input to Output Test Voltage, Method b* $V_{IORM} \times 1.875 = V_{PR}$ , 100% Production Test with $t_m = 1$ sec, Partial Discharge $< 5$ pC	$V_{PR}$	1063	$V_{peak}$
Input to Output Test Voltage, Method a* $V_{IORM} \times 1.5 = V_{PR}$ , Type and Sample Test, $t_m = 60$ sec, Partial Discharge $< 5$ pC	$V_{PR}$	851	$V_{peak}$
Highest Allowable Overvoltage (Transient Overvoltage, $t_{ini} = 10$ sec)	$V_{IOTM}$	6000	$V_{peak}$
Safety Limiting Values (Maximum values allowed in the event of a failure)			
Case Temperature	$T_S$	150	$^{\circ}C$
Input Current**	$I_{S,INPUT}$	150	mA
Output Power**	$P_{S,OUTPUT}$	600	mW
Insulation Resistance at $T_S, V_{IO} = 500$ V	$R_S$	$\geq 10^9$	$\Omega$

\*Refer to the front of the optocoupler section of the current catalog, under Product Safety Regulations section, IEC/EN/DIN EN 60747-5-2, for a detailed description.

Note: Isolation characteristics are guaranteed only within the safety maximum ratings which must be ensured by protective circuits in application.

**IEC/EN/DIN EN 60747-5-2 Insulation Related Characteristics  
(HCPL-26xx; 46xx; 6N13x Option 060 Only)**

Description	Symbol	Characteristic	Units
Installation classification per DIN VDE 0110/1.89, Table 1 for rated mains voltage $\leq 300$ V rms		I-IV	
for rated mains voltage $\leq 450$ V rms		I-III	
Climatic Classification		55/85/21	
Pollution Degree (DIN VDE 0110/1.89)		2	
Maximum Working Insulation Voltage	$V_{IORM}$	630	$V_{peak}$
Input to Output Test Voltage, Method b* $V_{IORM} \times 1.875 = V_{PR}$ , 100% Production Test with $t_m = 1$ sec, Partial Discharge $< 5$ pC	$V_{PR}$	1181	$V_{peak}$
Input to Output Test Voltage, Method a* $V_{IORM} \times 1.5 = V_{PR}$ , Type and sample test, $t_m = 60$ sec, Partial Discharge $< 5$ pC	$V_{PR}$	945	$V_{peak}$
Highest Allowable Overvoltage* (Transient Overvoltage, $t_{ini} = 10$ sec)	$V_{IOTM}$	6000	$V_{peak}$
Safety Limiting Values (Maximum values allowed in the event of a failure, also see Figure 16, Thermal Derating curve.)			
Case Temperature	$T_S$	175	$^{\circ}C$
Input Current	$I_{S,INPUT}$	230	mA
Output Power	$P_{S,OUTPUT}$	600	mW
Insulation Resistance at $T_S, V_{IO} = 500$ V	$R_S$	$\geq 10^9$	$\Omega$

\*Refer to the front of the optocoupler section of the current catalog, under Product Safety Regulations section, IEC/EN/DIN EN 60747-5-2, for a detailed description.

Note: Isolation characteristics are guaranteed only within the safety maximum ratings which must be ensured by protective circuits in application.

**IEC/EN/DIN EN 60747-5-2 Insulation Related Characteristics (HCNW137/2601/2611 Only)**

Description	Symbol	Characteristic	Units
Installation classification per DIN VDE 0110/1.89, Table 1 for rated mains voltage $\leq 600$ V rms		I-IV	
for rated mains voltage $\leq 1000$ V rms		I-III	
Climatic Classification (DIN IEC 68 part 1)		55/100/21	
Pollution Degree (DIN VDE 0110/1.89)		2	
Maximum Working Insulation Voltage	$V_{IORM}$	1414	$V_{peak}$
Input to Output Test Voltage, Method b* $V_{IORM} \times 1.875 = V_{PR}$ , 100% Production Test with $t_m = 1$ sec, Partial Discharge $< 5$ pC	$V_{PR}$	2651	$V_{peak}$
Input to Output Test Voltage, Method a* $V_{IORM} \times 1.5 = V_{PR}$ , Type and sample test, $t_m = 60$ sec, Partial Discharge $< 5$ pC	$V_{PR}$	2121	$V_{peak}$
Highest Allowable Overvoltage* (Transient Overvoltage, $t_{ini} = 10$ sec)	$V_{IOTM}$	8000	$V_{peak}$
Safety Limiting Values (Maximum values allowed in the event of a failure, also see Figure 16, Thermal Derating curve.)			
Case Temperature	$T_S$	150	$^{\circ}C$
Input Current	$I_{S,INPUT}$	400	mA
Output Power	$P_{S,OUTPUT}$	700	mW
Insulation Resistance at $T_S, V_{IO} = 500$ V	$R_S$	$\geq 10^9$	$\Omega$

\*Refer to the front of the optocoupler section of the current catalog, under Product Safety Regulations section, IEC/EN/DIN EN 60747-5-2, for a detailed description.

Note: Isolation characteristics are guaranteed only within the safety maximum ratings which must be ensured by protective circuits in application.

**Absolute Maximum Ratings\* (No Derating Required up to 85°C)**

Parameter	Symbol	Package**	Min.	Max.	Units	Note
Storage Temperature	$T_S$		-55	125	°C	
Operating Temperature†	$T_A$		-40	85	°C	
Average Forward Input Current	$I_F$	Single 8-Pin DIP Single SO-8 Widebody		20	mA	2
		Dual 8-Pin DIP Dual SO-8		15		1, 3
Reverse Input Voltage	$V_R$	8-Pin DIP, SO-8		5	V	1
		Widebody		3		
Input Power Dissipation	$P_I$	Widebody		40	mW	
Supply Voltage (1 Minute Maximum)	$V_{CC}$			7	V	
Enable Input Voltage (Not to Exceed $V_{CC}$ by more than 500 mV)	$V_E$	Single 8-Pin DIP Single SO-8 Widebody		$V_{CC} + 0.5$	V	
Enable Input Current	$I_E$			5	mA	
Output Collector Current	$I_O$			50	mA	1
Output Collector Voltage	$V_O$			7	V	1
Output Collector Power Dissipation	$P_O$	Single 8-Pin DIP Single SO-8 Widebody		85	mW	
		Dual 8-Pin DIP Dual SO-8		60		1, 4
Lead Solder Temperature (Through Hole Parts Only)	$T_{LS}$	8-Pin DIP		260°C for 10 sec., 1.6 mm below seating plane		
		Widebody		260°C for 10 sec., up to seating plane		
Solder Reflow Temperature Profile (Surface Mount Parts Only)		SO-8 and Option 300		See Package Outline Drawings section		

\*JEDEC Registered Data (for 6N137 only).

\*\*Ratings apply to all devices except otherwise noted in the Package column.

†0°C to 70°C on JEDEC Registration.

**Recommended Operating Conditions**

Parameter	Symbol	Min.	Max.	Units
Input Current, Low Level	$I_{FL}^*$	0	250	μA
Input Current, High Level <sup>(1)</sup>	$I_{FH}^{**}$	5	15	mA
Power Supply Voltage	$V_{CC}$	4.5	5.5	V
Low Level Enable Voltage†	$V_{EL}$	0	0.8	V
High Level Enable Voltage†	$V_{EH}$	2.0	$V_{CC}$	V
Operating Temperature	$T_A$	-40	85	°C
Fan Out (at $R_L = 1\text{ k}\Omega$ ) <sup>(1)</sup>	N		5	TTL Loads
Output Pull-up Resistor	$R_L$	330	4 k	Ω

\*The off condition can also be guaranteed by ensuring that  $V_{FL} \leq 0.8$  volts.

\*\*The initial switching threshold is 5 mA or less. It is recommended that 6.3 mA to 10 mA be used for best performance and to permit at least a 20% LED degradation guardband.

†For single channel products only.

## Electrical Specifications

Over recommended temperature ( $T_A = -40^\circ\text{C}$  to  $+85^\circ\text{C}$ ) unless otherwise specified. All Typicals at  $V_{CC} = 5\text{ V}$ ,  $T_A = 25^\circ\text{C}$ . All enable test conditions apply to single channel products only. See note 5.

Parameter	Sym.	Package	Min.	Typ.	Max.	Units	Test Conditions	Fig.	Note
High Level Output Current	$I_{OH}^*$	All		5.5	100	$\mu\text{A}$	$V_{CC} = 5.5\text{ V}$ , $V_E = 2.0\text{ V}$ , $V_O = 5.5\text{ V}$ , $I_F = 250\text{ mA}$	1	1, 6, 19
Input Threshold Current	$I_{TH}$	Single Channel		2.0	5.0	$\text{mA}$	$V_{CC} = 5.5\text{ V}$ , $V_E = 2.0\text{ V}$ , $V_O = 0.6\text{ V}$ , $I_{OL}(\text{Sinking}) = 13\text{ mA}$	2, 3	19
		Dual Channel		2.5					
Low Level Output Voltage	$V_{OL}^*$	8-Pin DIP		0.35	0.6	$\text{V}$	$V_{CC} = 5.5\text{ V}$ , $V_E = 2.0\text{ V}$ , $I_F = 5\text{ mA}$ , $I_{OL}(\text{Sinking}) = 13\text{ mA}$	2, 3, 4, 5	1, 19
		SO-8		0.4					
High Level Supply Current	$I_{CCH}$	Single Channel		7.0	10.0*	$\text{mA}$	$V_E = 0.5\text{ V}$ $V_{CC} = 5.5\text{ V}$ $V_E = V_{CC}$ $I_F = 0\text{ mA}$		7
		Dual Channel		10	15				
Low Level Supply Current	$I_{CCL}$	Single Channel		9.0	13.0*	$\text{mA}$	$V_E = 0.5\text{ V}$ $V_{CC} = 5.5\text{ V}$ $V_E = V_{CC}$ $I_F = 10\text{ mA}$		8
		Dual Channel		13	21				
High Level Enable Current	$I_{EH}$	Single Channel		-0.7	-1.6	$\text{mA}$	$V_{CC} = 5.5\text{ V}$ , $V_E = 2.0\text{ V}$		
Low Level Enable Current	$I_{EL}^*$			-0.9	-1.6	$\text{mA}$	$V_{CC} = 5.5\text{ V}$ , $V_E = 0.5\text{ V}$		9
High Level Enable Voltage	$V_{EH}$		2.0			$\text{V}$			19
Low Level Enable Voltage	$V_{EL}$				0.8	$\text{V}$			
Input Forward Voltage	$V_F$	8-Pin DIP	1.4	1.5	1.75*	$\text{V}$	$T_A = 25^\circ\text{C}$ $I_F = 10\text{ mA}$	6, 7	1
		SO-8	1.3		1.80				
		Widebody	1.25	1.64	1.85				
			1.2		2.05				
Input Reverse Breakdown Voltage	$BV_R^*$	8-Pin DIP	5			$\text{V}$	$I_R = 10\text{ }\mu\text{A}$		1
		SO-8							
		Widebody	3				$I_R = 100\text{ }\mu\text{A}$ , $T_A = 25^\circ\text{C}$		
Input Diode Temperature Coefficient	$DV_F/\Delta T_A$	8-Pin DIP		-1.6		$\text{mV}/^\circ\text{C}$	$I_F = 10\text{ mA}$	7	1
		SO-8		-1.9					
Input Capacitance	$C_{IN}$	8-Pin DIP		60		$\text{pF}$	$f = 1\text{ MHz}$ , $V_F = 0\text{ V}$		1
		SO-8		70					
		Widebody		70					

\*JEDEC registered data for the 6N137. The JEDEC Registration specifies  $0^\circ\text{C}$  to  $+70^\circ\text{C}$ . HP specifies  $-40^\circ\text{C}$  to  $+85^\circ\text{C}$ .

### Switching Specifications (AC)

Over Recommended Temperature ( $T_A = -40^\circ\text{C}$  to  $+85^\circ\text{C}$ ),  $V_{CC} = 5\text{ V}$ ,  $I_F = 7.5\text{ mA}$  unless otherwise specified.  
All Typical at  $T_A = 25^\circ\text{C}$ ,  $V_{CC} = 5\text{ V}$ .

Parameter	Sym.	Package**	Min.	Typ.	Max.	Units	Test Conditions	Fig.	Note
Propagation Delay Time to High Output Level	$t_{PLH}$		20	48	75*	ns	$T_A = 25^\circ\text{C}$ $R_L = 350\ \Omega$ $C_L = 15\text{ pF}$	8, 9, 10	1, 10, 19
Propagation Delay Time to Low Output Level	$t_{PHL}$		25	50	75*	ns	$T_A = 25^\circ\text{C}$		1, 11, 19
Pulse Width Distortion	$ t_{PHL} - t_{PLH} $	8-Pin DIP SO-8 Widebody		3.5	35	ns		8, 9, 10, 11	13, 19
Propagation Delay Skew	$t_{PSK}$				40	ns			12, 13, 19
Output Rise Time (10-90%)	$t_r$			24		ns		12	1, 19
Output Fall Time (90-10%)	$t_f$			10		ns		12	1, 19
Propagation Delay Time of Enable from $V_{EH}$ to $V_{EL}$	$t_{ELH}$	Single Channel		30		ns	$R_L = 350\ \Omega$ , $C_L = 15\text{ pF}$ , $V_{EL} = 0\text{ V}$ , $V_{EH} = 3\text{ V}$	13, 14	14
Propagation Delay Time of Enable from $V_{EL}$ to $V_{EH}$	$t_{EHL}$	Single Channel		20		ns			15

\*JEDEC registered data for the 6N137.

\*\*Ratings apply to all devices except otherwise noted in the Package column.

Parameter	Sym.	Device	Min.	Typ.	Units	Test Conditions	Fig.	Note
Logic High Common Mode Transient Immunity	$ CM_H $	6N137 HCPL-2630 HCPL-0600/0630 HCN137 HCPL-2601/2631 HCPL-0601/0631 HCN2601 HCPL-2611/4661 HCPL-0611/0661 HCN2611	1,000 5,000	10,000 10,000	V/ $\mu\text{s}$	$ V_{CM}  = 10\text{ V}$ $ V_{CM}  = 1\text{ kV}$ $V_{CC} = 5\text{ V}$ , $I_F = 0\text{ mA}$ , $V_{O(MIN)} = 2\text{ V}$ , $R_L = 350\ \Omega$ , $T_A = 25^\circ\text{C}$	15	1, 16, 18, 19
Logic Low Common Mode Transient Immunity	$ CM_L $	6N137 HCPL-2630 HCPL-0600/0630 HCN137 HCPL-2601/2631 HCPL-0601/0631 HCN2601 HCPL-2611/4661 HCPL-0611/0661 HCN2611	1,000 5,000	10,000 10,000	V/ $\mu\text{s}$	$ V_{CM}  = 10\text{ V}$ $ V_{CM}  = 1\text{ kV}$ $V_{CC} = 5\text{ V}$ , $I_F = 7.5\text{ mA}$ , $V_{O(MAX)} = 0.8\text{ V}$ , $R_L = 350\ \Omega$ , $T_A = 25^\circ\text{C}$	15	1, 17, 18, 19

## Package Characteristics

All Typical at  $T_A = 25^\circ\text{C}$ .

Parameter	Sym.	Package	Min.	Typ.	Max.	Units	Test Conditions	Fig.	Note
Input-Output Insulation	$I_{I-O}^*$	Single 8-Pin DIP Single SO-8			1	$\mu\text{A}$	45% RH, $t = 5\text{ s}$ , $V_{I-O} = 3\text{ kV dc}$ , $T_A = 25^\circ\text{C}$		20, 21
Input-Output Momentary Withstand Voltage**	$V_{ISO}$	8-Pin DIP, SO-8	3750			V rms	RH $\leq 50\%$ , $t = 1\text{ min}$ , $T_A = 25^\circ\text{C}$		20, 21
		Widebody	5000						20, 22
		OPT 020†	5000						
Input-Output Resistance	$R_{I-O}$	8-Pin DIP, SO-8		$10^{12}$		$\Omega$	$V_{I-O} = 500\text{ V dc}$ $T_A = 25^\circ\text{C}$ $T_A = 100^\circ\text{C}$		1, 20,
		Widebody	$10^{12}$	$10^{13}$					23
			$10^{11}$						
Input-Output Capacitance	$C_{I-O}$	8-Pin DIP, SO-8		0.6		pF	$f = 1\text{ MHz}$ , $T_A = 25^\circ\text{C}$		1, 20,
		Widebody		0.5	0.6				23
Input-Input Insulation Leakage Current	$I_{I-I}$	Dual Channel		0.005		$\mu\text{A}$	RH $\leq 45\%$ , $t = 5\text{ s}$ , $V_{I-I} = 500\text{ V}$		24
Resistance (Input-Input)	$R_{I-I}$	Dual Channel		$10^{11}$		$\Omega$			24
Capacitance (Input-Input)	$C_{I-I}$	Dual 8-Pin DIP		0.03		pF	$f = 1\text{ MHz}$		24
		Dual SO-8		0.25					

\*JEDEC registered data for the 6N137. The JEDEC Registration specifies  $0^\circ\text{C}$  to  $70^\circ\text{C}$ . Avago specifies  $-40^\circ\text{C}$  to  $85^\circ\text{C}$ .

\*\*The Input-Output Momentary Withstand Voltage is a dielectric voltage rating that should not be interpreted as an input-output continuous voltage rating. For the continuous voltage rating refer to the IEC/EN/DIN EN 60747-5-2 Insulation Characteristics Table (if applicable), your equipment level safety specification or Avago Application Note 1074 entitled "Optocoupler Input-Output Endurance Voltage."

†For 6N137, HCPL-2601/2611/2630/2631/4661 only.

### Notes:

- Each channel.
- Peaking circuits may produce transient input currents up to 50 mA, 50 ns maximum pulse width, provided average current does not exceed 20 mA.
- Peaking circuits may produce transient input currents up to 50 mA, 50 ns maximum pulse width, provided average current does not exceed 15 mA.
- Derate linearly above  $80^\circ\text{C}$  free-air temperature at a rate of  $2.7\text{ mW}/^\circ\text{C}$  for the SOIC-8 package.
- Bypassing of the power supply line is required, with a  $0.1\text{ }\mu\text{F}$  ceramic disc capacitor adjacent to each optocoupler as illustrated in Figure 17. Total lead length between both ends of the capacitor and the isolator pins should not exceed 20 mm.
- The JEDEC registration for the 6N137 specifies a maximum  $I_{OH}$  of 250  $\mu\text{A}$ . Avago guarantees a maximum  $I_{OH}$  of 100  $\mu\text{A}$ .
- The JEDEC registration for the 6N137 specifies a maximum  $I_{CCH}$  of 15 mA. Avago guarantees a maximum  $I_{CCH}$  of 10 mA.
- The JEDEC registration for the 6N137 specifies a maximum  $I_{CCL}$  of 18 mA. Avago guarantees a maximum  $I_{CCL}$  of 13 mA.
- The JEDEC registration for the 6N137 specifies a maximum  $I_{EL}$  of  $-2.0\text{ mA}$ . Avago guarantees a maximum  $I_{EL}$  of  $-1.6\text{ mA}$ .
- The  $t_{PLH}$  propagation delay is measured from the 3.75 mA point on the falling edge of the input pulse to the 1.5 V point on the rising edge of the output pulse.
- The  $t_{PHL}$  propagation delay is measured from the 3.75 mA point on the rising edge of the input pulse to the 1.5 V point on the falling edge of the output pulse.
- $t_{PSK}$  is equal to the worst case difference in  $t_{PHL}$  and/or  $t_{PLH}$  that will be seen between units at any given temperature and specified test conditions.
- See application section titled "Propagation Delay, Pulse-Width Distortion and Propagation Delay Skew" for more information.
- The  $t_{ELH}$  enable propagation delay is measured from the 1.5 V point on the falling edge of the enable input pulse to the 1.5 V point on the rising edge of the output pulse.
- The  $t_{EHL}$  enable propagation delay is measured from the 1.5 V point on the rising edge of the enable input pulse to the 1.5 V point on the falling edge of the output pulse.
- $CM_{HI}$  is the maximum tolerable rate of rise of the common mode voltage to assure that the output will remain in a high logic state (i.e.,  $V_O > 2.0\text{ V}$ ).
- $CM_{LI}$  is the maximum tolerable rate of fall of the common mode voltage to assure that the output will remain in a low logic state (i.e.,  $V_O < 0.8\text{ V}$ ).
- For sinusoidal voltages,  $(dV_{CM} / dt)_{max} = \pi f_{CM} V_{CM}(p-p)$ .
- No external pull up is required for a high logic state on the enable input. If the  $V_E$  pin is not used, tying  $V_E$  to  $V_{CC}$  will result in improved CMR performance. For single channel products only.
- Device considered a two-terminal device: pins 1, 2, 3, and 4 shorted together, and pins 5, 6, 7, and 8 shorted together.
- In accordance with UL 1577, each optocoupler is proof tested by applying an insulation test voltage  $\geq 4500\text{ V rms}$  for one second (leakage detection current limit,  $I_{I-O} \leq 5\text{ }\mu\text{A}$ ). This test is performed before the 100% production test for partial discharge (Method b) shown in the IEC/EN/DIN EN 60747-5-2 Insulation Characteristics Table, if applicable.
- In accordance with UL 1577, each optocoupler is proof tested by applying an insulation test voltage  $\geq 6000\text{ V rms}$  for one second (leakage detection current limit,  $I_{I-O} \leq 5\text{ }\mu\text{A}$ ). This test is performed before the 100% production test for partial discharge (Method b) shown in the IEC/EN/DIN EN 60747-5-2 Insulation Characteristics Table, if applicable.
- Measured between the LED anode and cathode shorted together and pins 5 through 8 shorted together. For dual channel products only.
- Measured between pins 1 and 2 shorted together, and pins 3 and 4 shorted together. For dual channel products only.

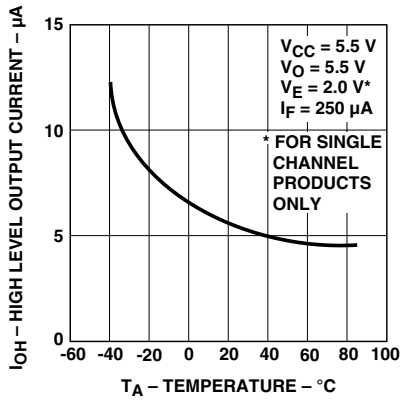


Figure 1. Typical high level output current vs. temperature.

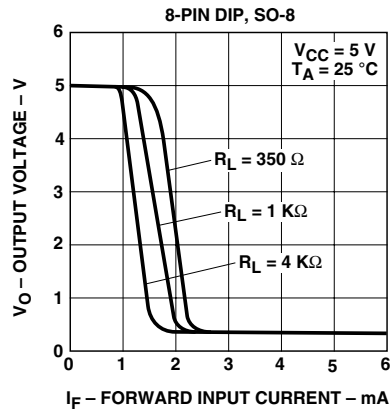


Figure 2. Typical output voltage vs. forward input current.

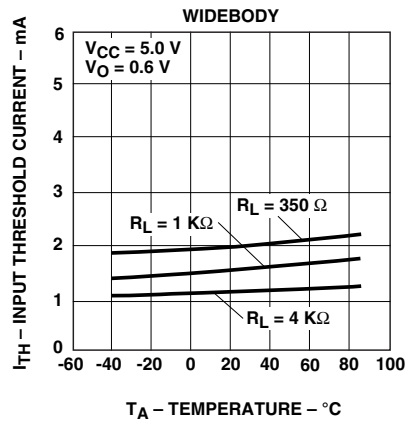
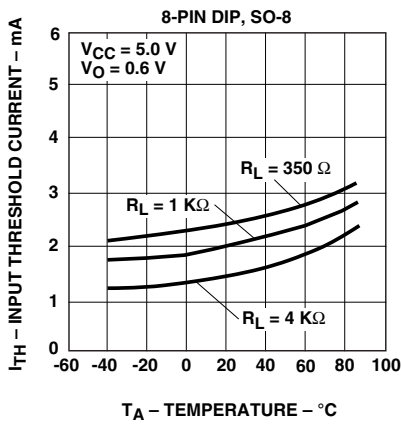
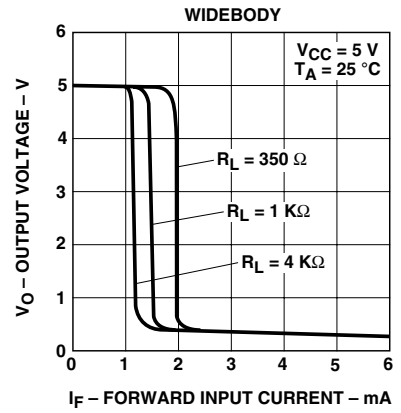


Figure 3. Typical input threshold current vs. temperature.

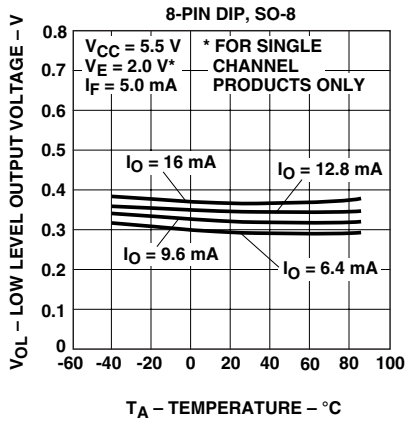


Figure 4. Typical low level output voltage vs. temperature.

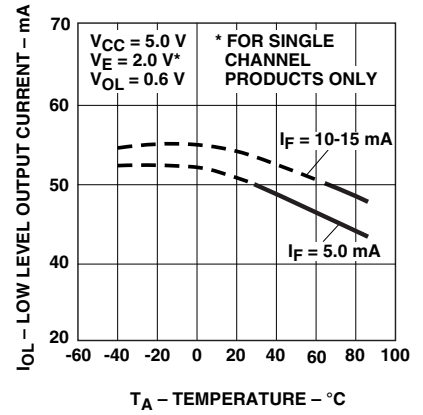
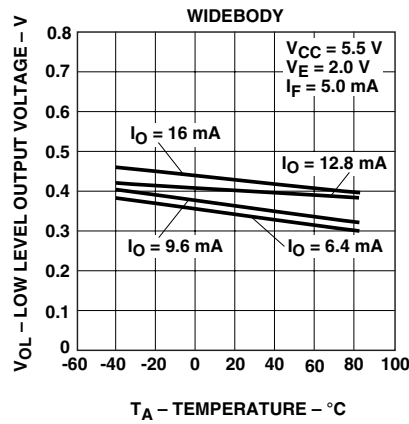


Figure 5. Typical low level output current vs. temperature.

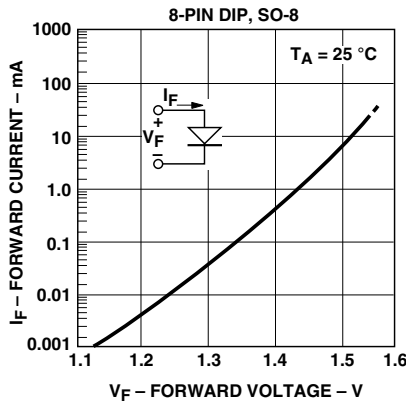


Figure 6. Typical input diode forward characteristic.

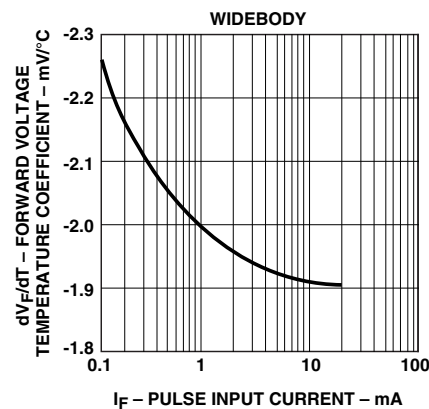
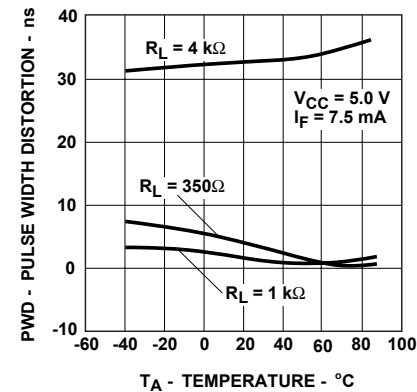
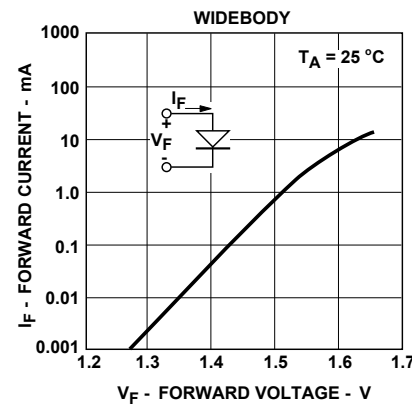
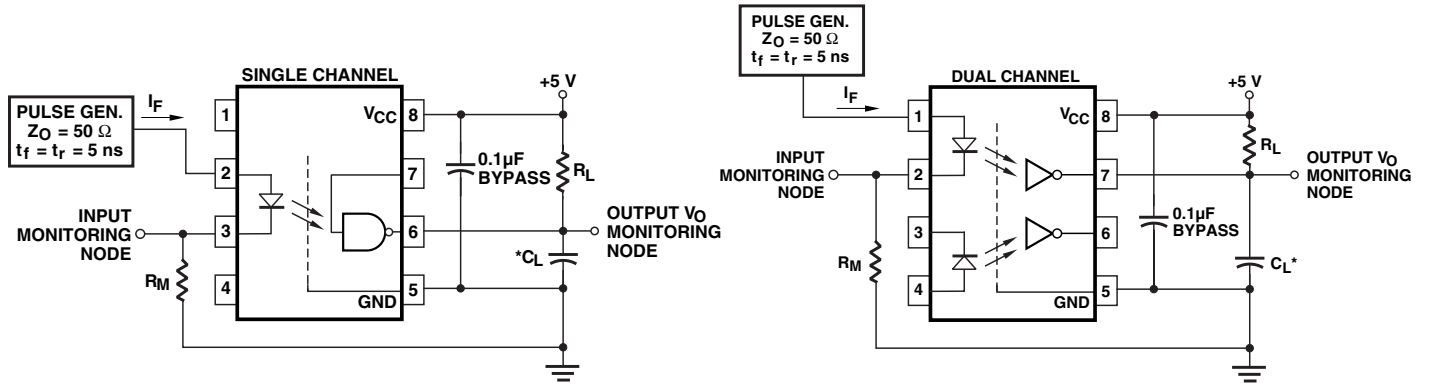


Figure 7. Typical temperature coefficient of forward voltage vs. input current.





\*CL IS APPROXIMATELY 15 pF WHICH INCLUDES PROBE AND STRAY WIRING CAPACITANCE.

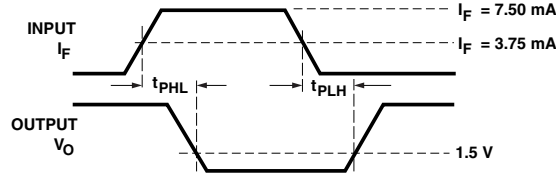


Figure 8. Test circuit for  $t_{PHL}$  and  $t_{PLH}$ .

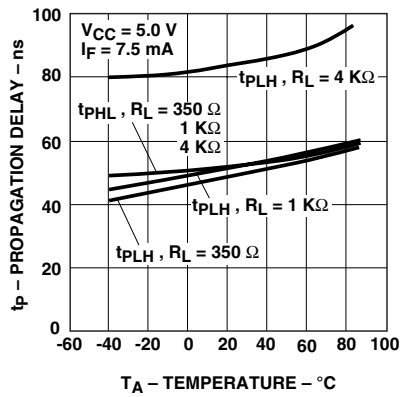


Figure 9. Typical propagation delay vs. temperature.

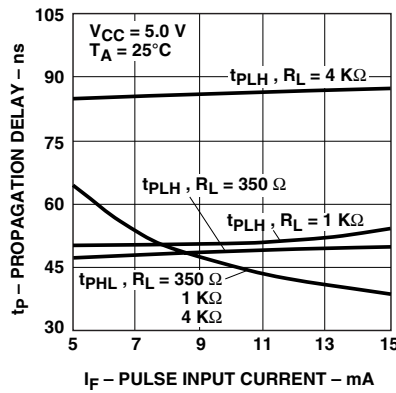


Figure 10. Typical propagation delay vs. pulse input current.

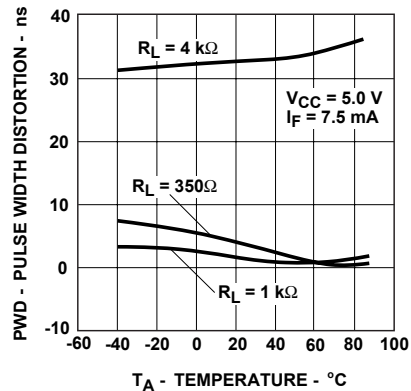


Figure 11. Typical pulse width distortion vs. temperature.

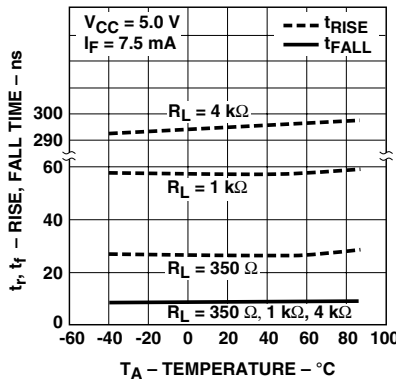


Figure 12. Typical rise and fall time vs. temperature.

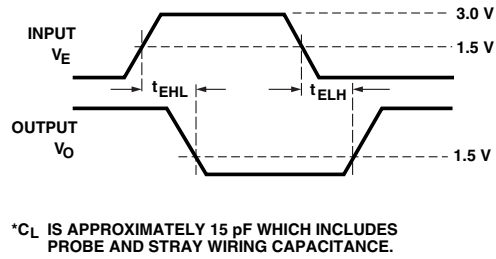
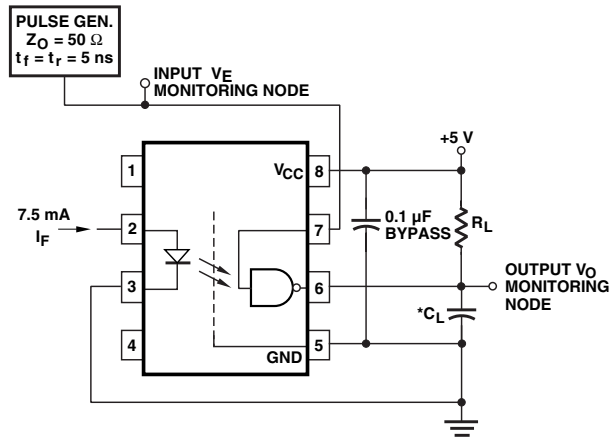


Figure 13. Test circuit for  $t_{EHL}$  and  $t_{ELH}$ \*

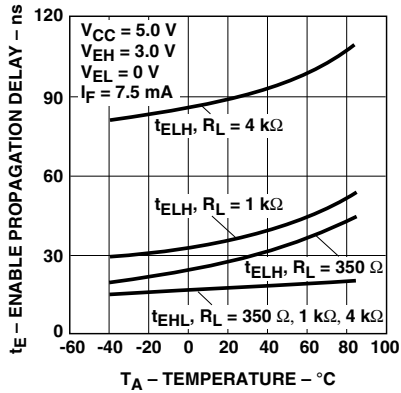


Figure 14. Typical enable propagation delay vs. temperature.

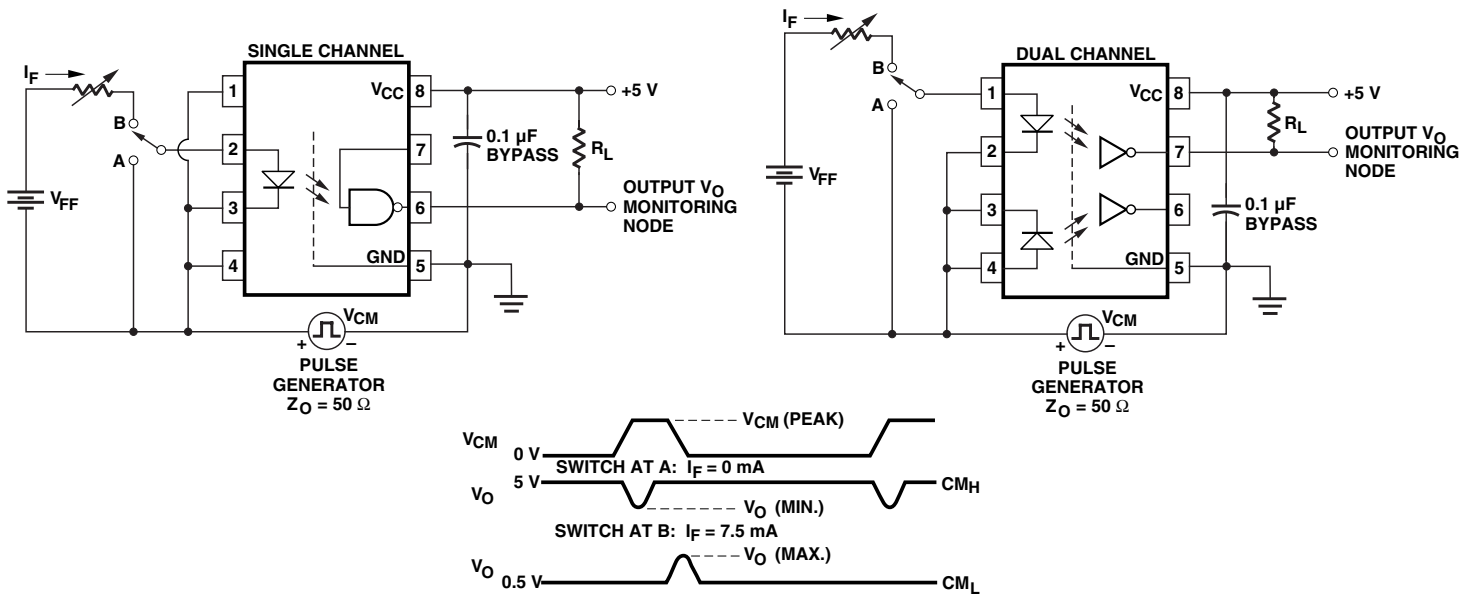


Figure 15. Test circuit for common mode transient immunity and typical waveforms.

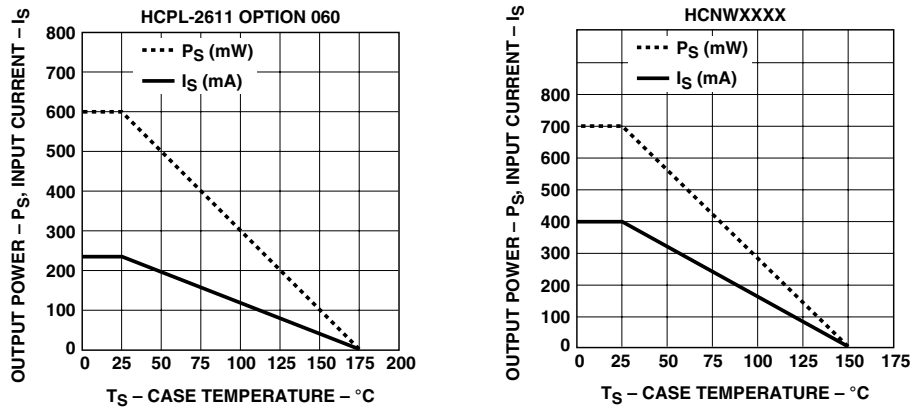


Figure 16. Thermal derating curve, dependence of safety limiting value with case temperature per IEC/EN/DIN EN 60747-5-2.

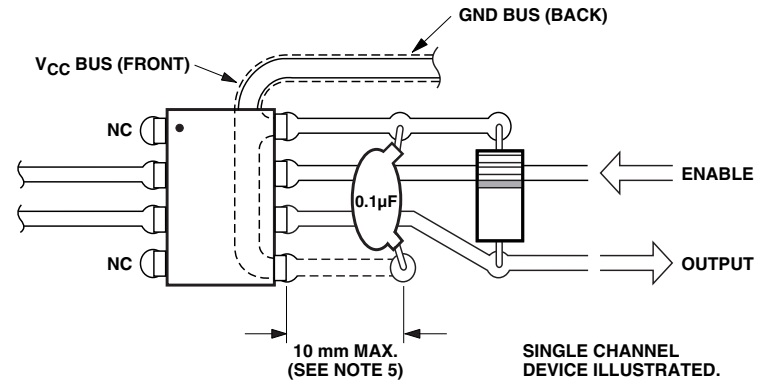
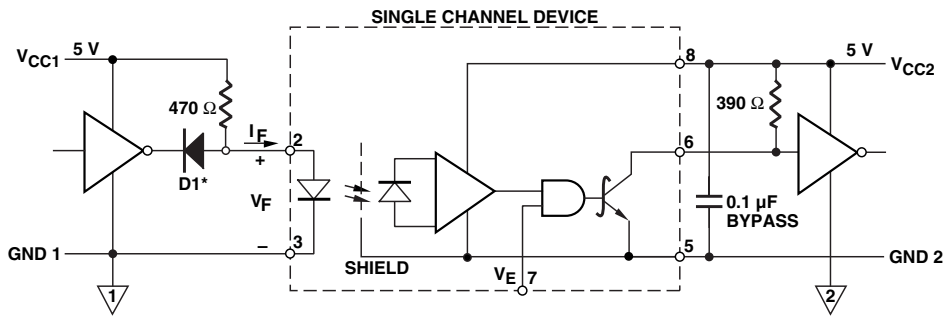


Figure 17. Recommended printed circuit board layout.



\*DIODE D1 (1N916 OR EQUIVALENT) IS NOT REQUIRED FOR UNITS WITH OPEN COLLECTOR OUTPUT.

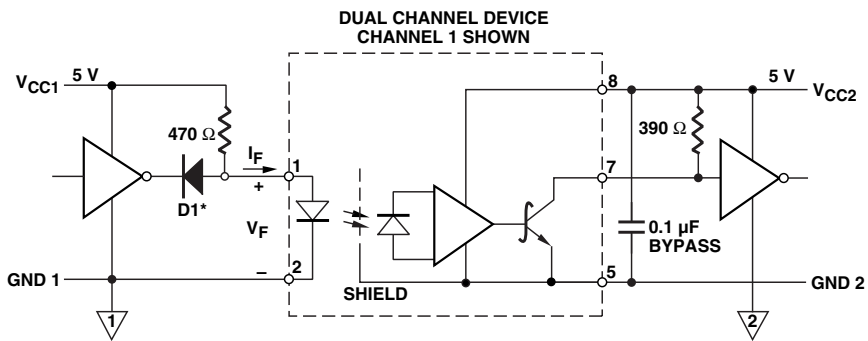


Figure 18. Recommended TTL/LSTTL to TTL/LSTTL interface circuit.

## Propagation Delay, Pulse-Width Distortion and Propagation Delay Skew

Propagation delay is a figure of merit which describes how quickly a logic signal propagates through a system. The propagation delay from low to high ( $t_{PLH}$ ) is the amount of time required for an input signal to propagate to the output, causing the output to change from low to high. Similarly, the propagation delay from high to low ( $t_{PHL}$ ) is the amount of time required for the input signal to propagate to the output causing the output to change from high to low (see Figure 8).

Pulse-width distortion (PWD) results when  $t_{PLH}$  and  $t_{PHL}$  differ in value. PWD is defined as the difference between  $t_{PLH}$  and  $t_{PHL}$  and often determines the maximum data rate capability of a transmission system. PWD can be expressed in percent by dividing the PWD (in ns) by the minimum pulse width (in ns) being transmitted. Typically, PWD on the order of 20-30% of the minimum pulse width is tolerable; the exact figure depends on the particular application (RS232, RS422, T-1, etc.).

Propagation delay skew,  $t_{PSK}$ , is an important parameter to consider in parallel data applications where synchronization of signals on parallel data lines is a concern. If the parallel data is being sent through a group of optocouplers, differences in propagation delays will cause the data to arrive at the outputs of the optocouplers at different times. If this difference in propagation delays is large enough, it will determine the maximum rate at which parallel data can be sent through the optocouplers.

Propagation delay skew is defined as the difference between the minimum and maximum propagation delays, either  $t_{PLH}$  or  $t_{PHL}$ , for any given group of optocouplers which are operating under the same conditions (i.e., the same drive current, supply voltage, output load, and operating temperature). As illustrated in Figure 19, if the in-

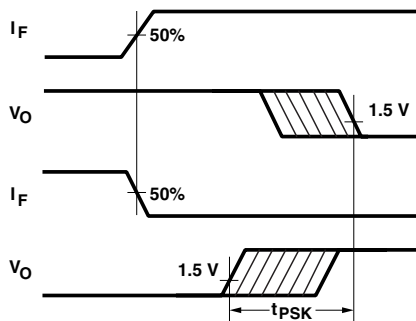


Figure 19. Illustration of propagation delay skew -  $t_{PSK}$ .

puts of a group of optocouplers are switched either ON or OFF at the same time,  $t_{PSK}$  is the difference between the shortest propagation delay, either  $t_{PLH}$  or  $t_{PHL}$ , and the longest propagation delay, either  $t_{PLH}$  or  $t_{PHL}$ .

As mentioned earlier,  $t_{PSK}$  can determine the maximum parallel data transmission rate. Figure 20 is the timing diagram of a typical parallel data application with both the clock and the data lines being sent through optocouplers. The figure shows data and clock signals at the inputs and outputs of the optocouplers. To obtain the maximum data transmission rate, both edges of the clock signal are being used to clock the data; if only one edge were used, the clock signal would need to be twice as fast.

Propagation delay skew represents the uncertainty of where an edge might be after being sent through an optocoupler. Figure 20 shows that there will be uncertainty in both the data and the clock lines. It is important that these two areas of uncertainty not overlap, otherwise the clock signal might arrive before all of the data outputs have settled, or some of the data outputs may start to change before the clock signal has arrived. From these considerations, the absolute minimum pulse width that can be sent through optocouplers in a parallel application is twice  $t_{PSK}$ . A cautious design should use a slightly longer pulse width to ensure that any additional uncertainty in the rest of the circuit does not cause a problem.

The  $t_{PSK}$  specified optocouplers offer the advantages of guaranteed specifications for propagation delays, pulse-width distortion and propagation delay skew over the recommended temperature, input current, and power supply ranges.

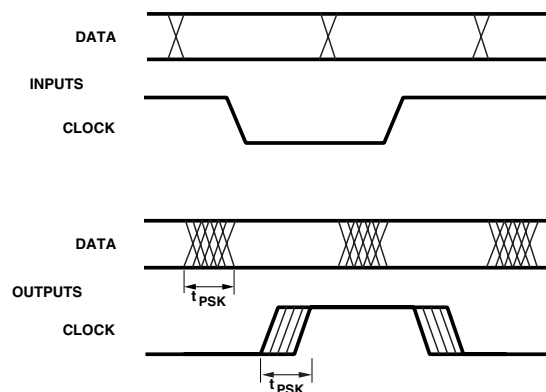


Figure 20. Parallel data transmission example.

For product information and a complete list of distributors, please go to our website: [www.avagotech.com](http://www.avagotech.com)

Avago, Avago Technologies, and the A logo are trademarks of Avago Technologies Limited in the United States and other countries.  
Data subject to change. Copyright © 2005-2010 Avago Technologies Limited. All rights reserved. Obsoletes AV02-0170EN  
AV02-0940EN - January 28, 2010

