

# 10BASE-T LAN MAGNETICS

## Single Port Transformer Modules

LM00505

- Transformer turns ratio RX 1CT : 1CT and TX 2CT : 1CT
- Single-port modules available with and without common mode chokes
- Conforms to IEEE 802.3 standards
- Low profile, surface mount packaging rated to 225° C peak IR reflow temperature
- Operating temperature 0° to 70° C
- Minimum interwinding breakdown voltage of 1500 Vrms

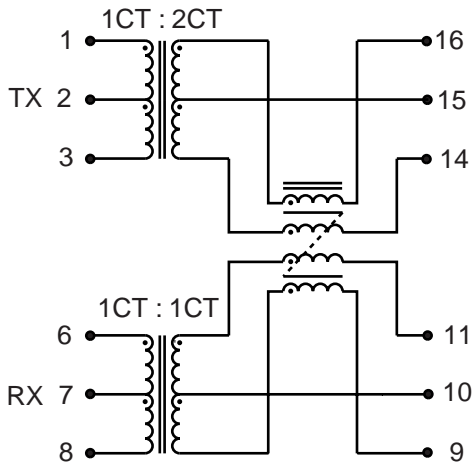
### ELECTRICAL SPECIFICATIONS AT 25° C

Part Number	Insertion Loss dB max	OCL μH min		Return Loss dB min		Common to Common Mode Rejection dB min		Crosstalk dB min
		1MHz to 10MHz	TX	RX	1MHz to 10MHz	5MHz to 10MHz	10MHz to 30MHz	
<b>Transformers Only</b>								
S553-1084-01	-1.0	80	80	-18	---	---	---	-40
S553-1084-11	-1.0	80	80	-18	---	---	---	-40
S553-5999-52	-1.0	28	110	-18	---	---	---	-40
<b>Transformers and Common Mode Chokes</b>								
A553-5999-47	-1.0	50	200	---	-18	-40	-30	-40
S553-5999-86	-1.0	28	110	-18	---	-40	-30	-40
S553-5999-87	-1.0	50	200	---	-18	-40	-30	-40
S556-2793-00	-1.0	---	---	---	-15	-40	-30	-30

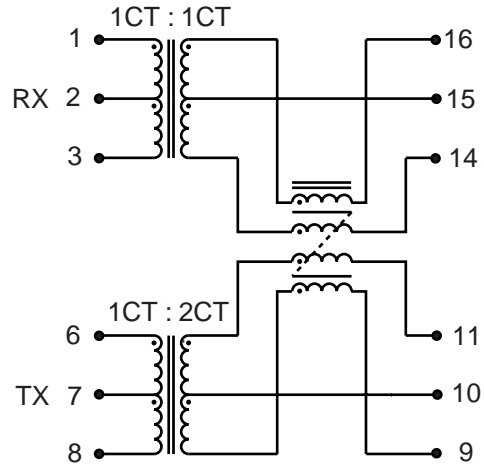
## 10BASE-T LAN MAGNETICS Single Port Transformer Modules

### SCHEMATICS

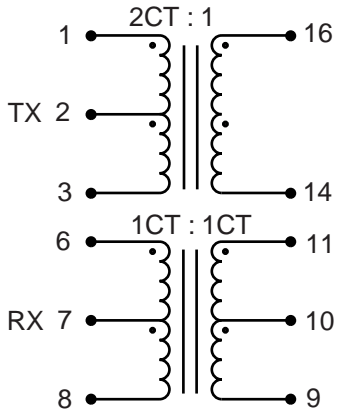
A553-5999-47  
S553-5999-87



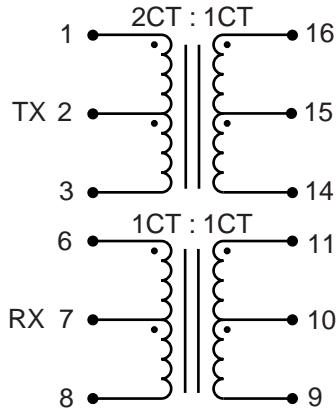
S553-5999-86



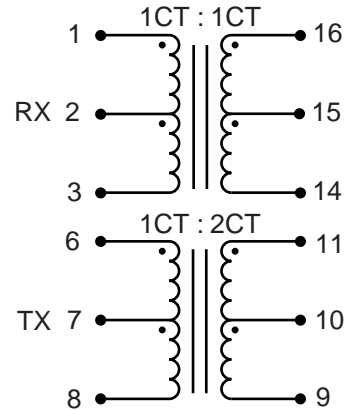
S553-1084-01



S553-1084-11



S553-5999-52



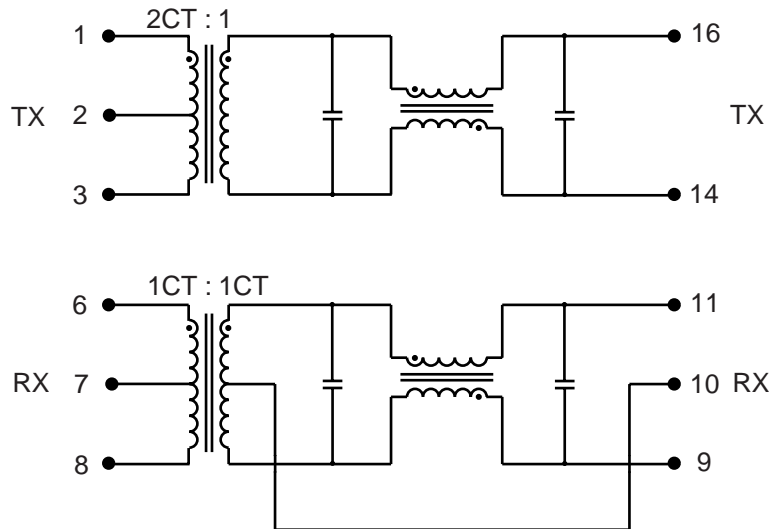
# 10BASE-T LAN MAGNETICS

## Single Port Transformer Modules

LM00505

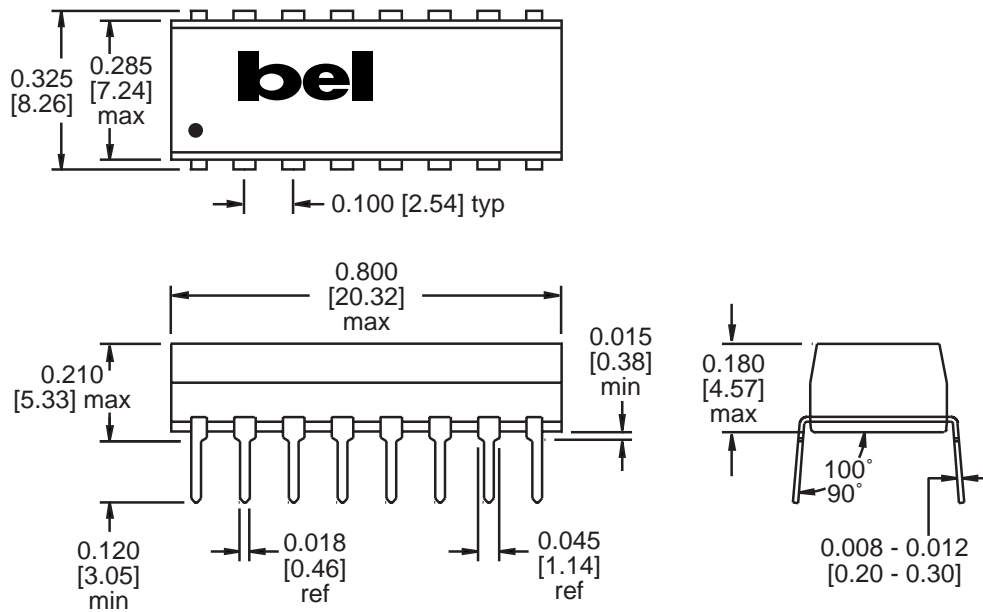
### SCHEMATICS

S556-2793-00



### MECHANICALS

A553-5999-47

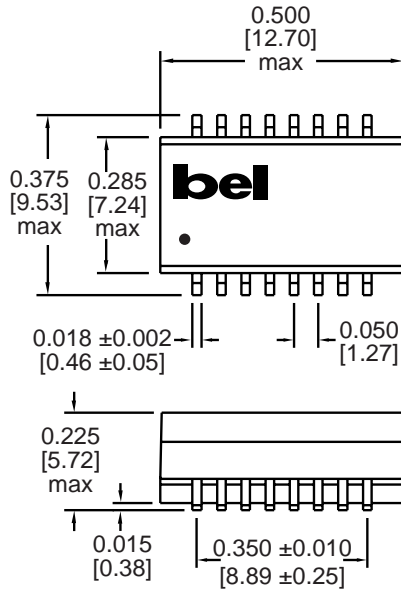


Dimensions are in inches [millimeters].  
Standard dimension tolerance is  $\pm 0.005$  [0.13] unless otherwise noted.

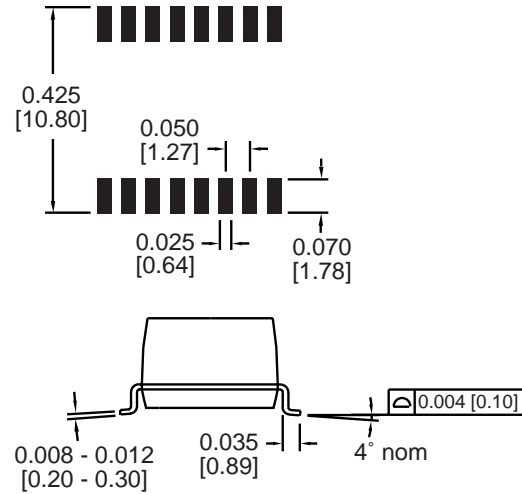
LM00505

### MECHANICALS

S553-1084-01  
S553-1084-11  
S553-5999-52  
S553-5999-86  
S553-5999-87

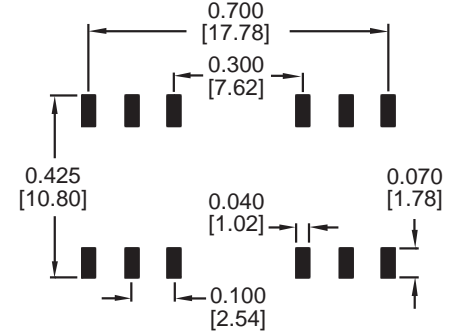
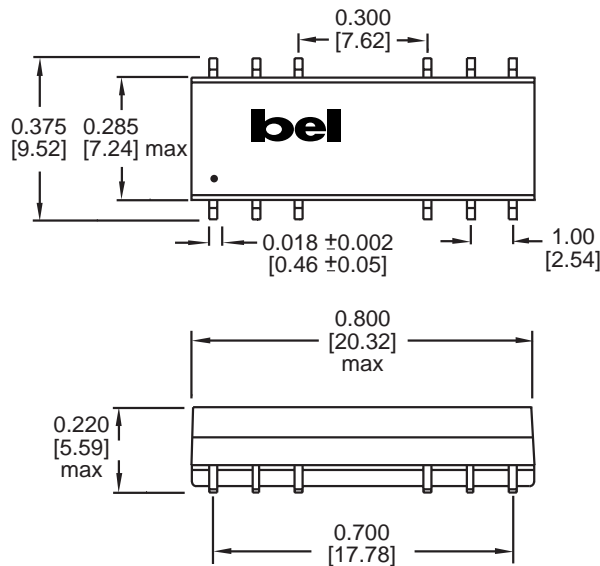


Suggested PCB Pad Layout

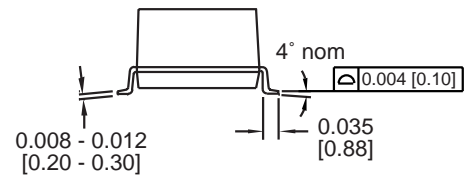


Dimensions are in inches [millimeters].  
Standard dimension tolerance is  $\pm 0.005$  [0.13] unless otherwise noted.

S556-2793-00



Suggested PCB Pad Layout



Dimensions are in inches [millimeters].  
Standard dimension tolerance is  $\pm 0.005$  [0.13] unless otherwise noted.

©2001 Bel Fuse Inc. Specifications subject to change without notice. 09.01

#### CORPORATE

**Bel Fuse Inc.**  
206 Van Vorst Street  
Jersey City, NJ 07302  
Tel 201-432-0463  
Fax 201-432-9542  
www.belfuse.com

#### FAR EAST

**Bel Fuse Ltd.**  
8F / 8 Luk Hop Street  
San Po Kong  
Kowloon, Hong Kong  
Tel 852-2328-5515  
Fax 852-2352-3706  
www.belfuse.com

#### EUROPE

**Bel Fuse Europe Ltd.**  
Preston Technology Management Centre  
Marsh Lane, Suite G7, Preston  
Lancashire, PR1 8UD, U.K.  
Tel 44-1772-556601  
Fax 44-1772-888366  
www.belfuse.com