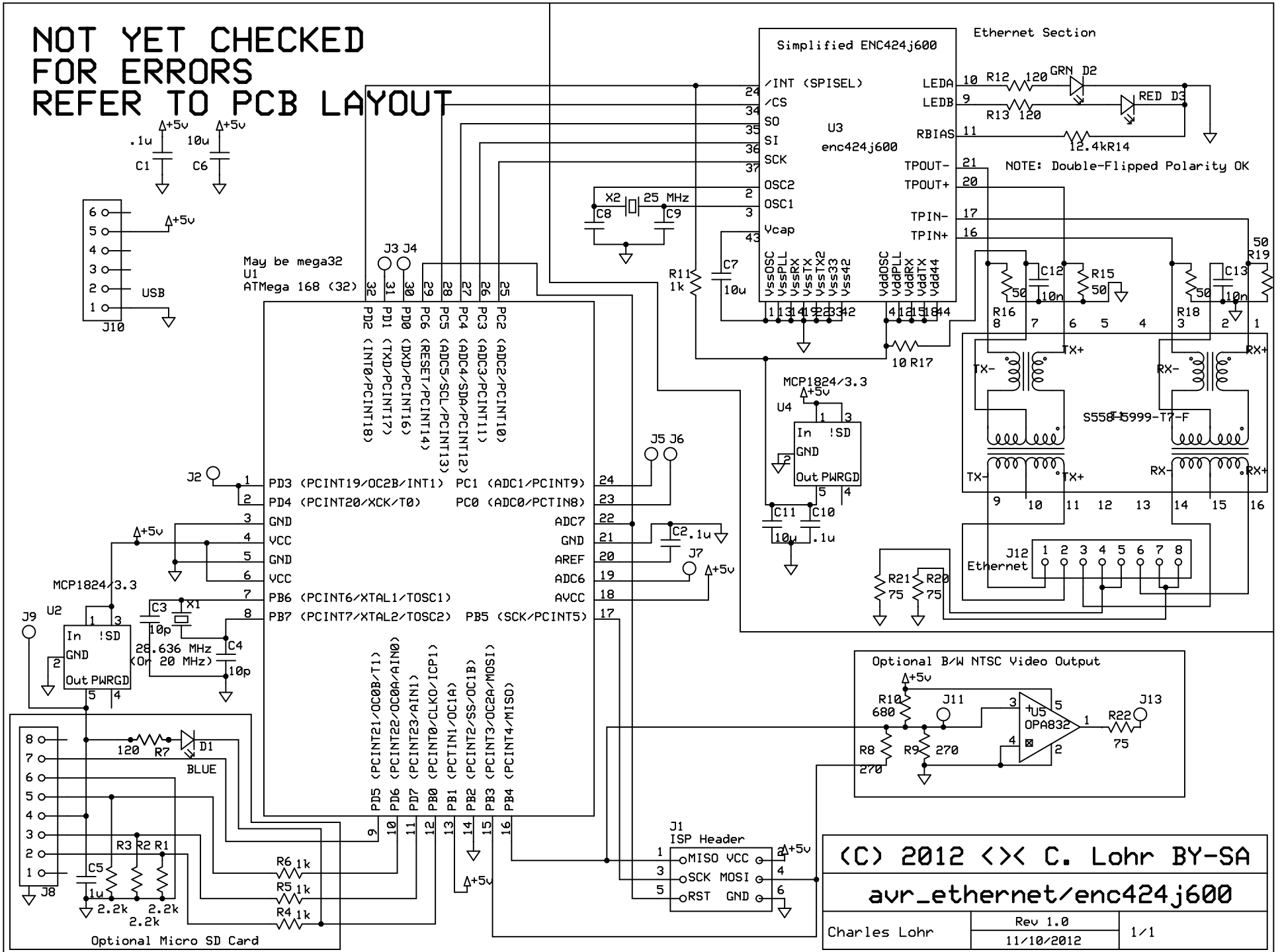


**NOT YET CHECKED  
FOR ERRORS  
REFER TO PCB LAYOUT**



(C) 2012 <> C. Lohr BY-SA  
avr\_ethernet/enc424j600  
Charles Lohr Rev 1.0 1/1  
11/10/2012